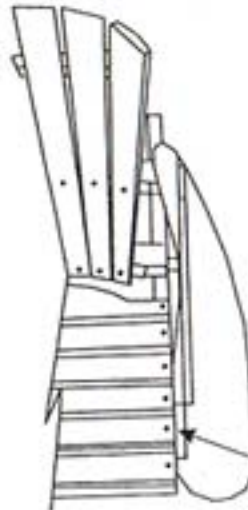


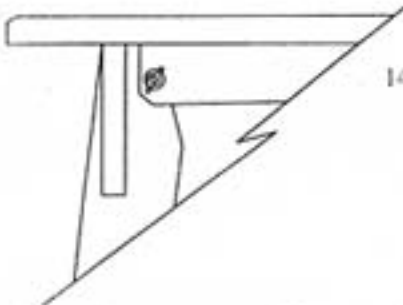


9. Attach one Pivot Block (#12) to the outside of each side with a 1/4" Carriage Bolt (16).
10. Place the back assembly between the Pivot Blocks. Line up the holes in the Pivot Blocks with the holes in the end of the Bottom Back Support, insert a 1/4" Lag Bolt (#20) and Washer (#17) in each, tighten until snug.
11. Fasten the Arm Supports (#13) to the outside of the top of the Legs with the 1/4" Carriage Bolts (#16).
12. Pull the back assembly up and insert the remaining Lag Bolts (#20) with Washers (#17), through the back holes of the Arm Supports, into the hole on each side of the Middle Back Support - Tighten until snug.



13. You are almost done. Now place the arms on the arm supports, line them up as illustrated and fasten each with 2 screws through the underside of the arm support.

* Note: Make sure the inside front part of the arm is flush with the inside of the leg.



14. Finally attach the Triangles (#7) to the outside of the legs. Make sure the top of the Triangle is pressed against the bottom of the Arms and that the triangle is vertical, as seen from the side, when the chair is in its normal position. Attach with two screws each.

If there are no more parts left you must be done. Finish the chair as you prefer, attach the Brass Plaque to the middle of the Front Slat snug up all the Wingnuts and Lag bolts and enjoy!