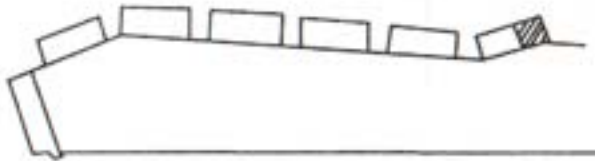
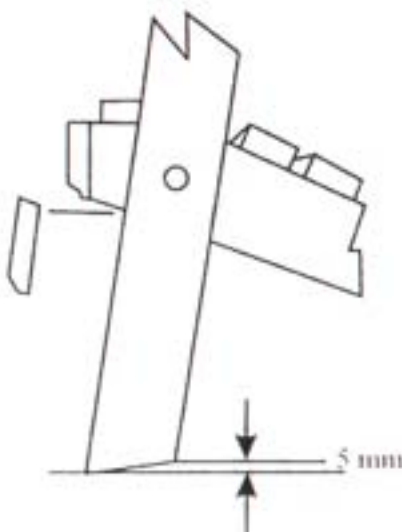
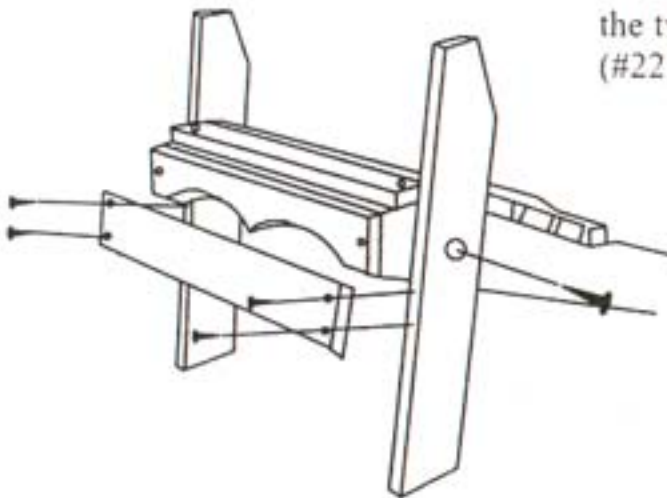


6. Space the remaining five Seat Slats (#2) evenly between the Comfort Slat (#3) and the Front Slat.



7. Attach the Legs (#5) to the seat assembly using the two 3/8 in. Carriage Bolts (#21), Washers (#22), Lockwashers (#23) and Wingnuts (#24).



8. This next step is important so take your time to do it right. Place the seat assembly on a smooth surface (e.g. a kitchen floor) Make sure the back bottom edge of the Legs is about 1/4 in. off the ground. While pressing the leg brace firmly against the bottom of the sides attach the Leg Brace across the 2 Legs with four screws.