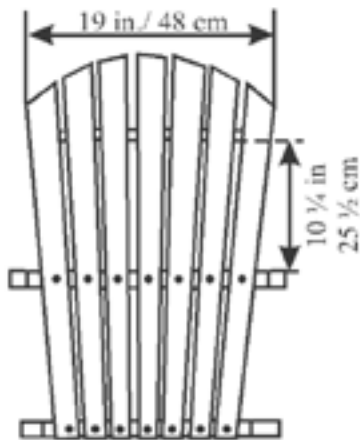


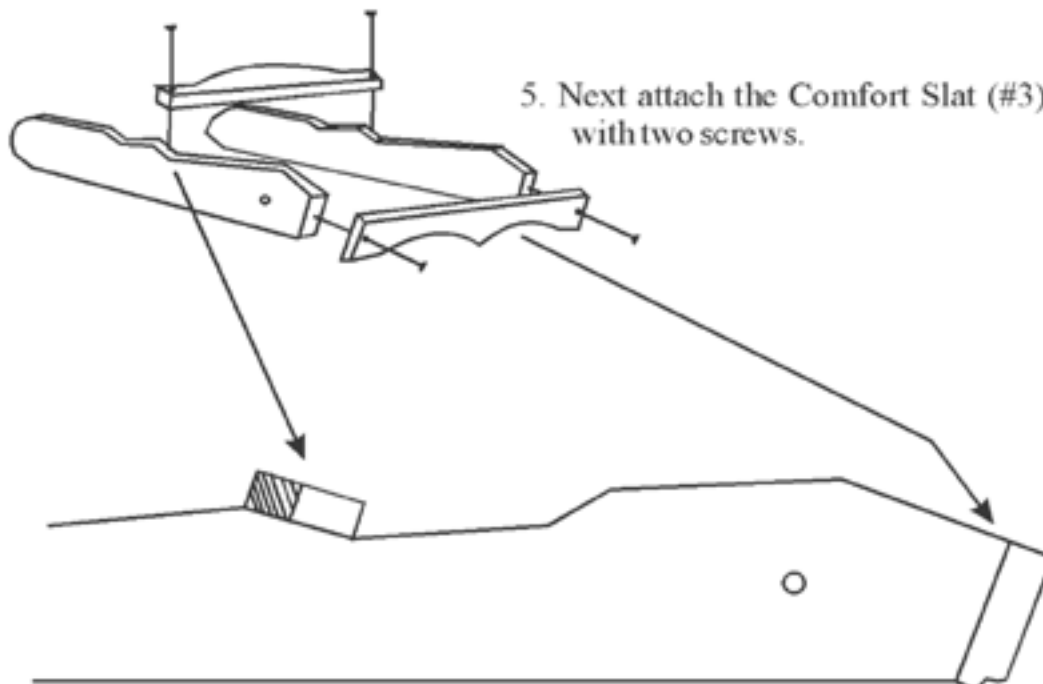
1. Arrange the Bottom and Middle Back Supports 10  $\frac{1}{4}$  in. apart and parallel. Place the longest of the seven Back Slats (#11) in the centre of the two Back Supports. It is important that it is as close to the center as possible. You may want to use a Tape Measure to make sure. Once you are sure, attach with two screws.

2. Space the remaining six Back Slats evenly and attach with two screws each. Make sure that the back does not exceed the width of a seat slat #2 (19") at its widest point.



3. Attach the Upper Back Support (#10) to the back, 10  $\frac{1}{4}$  in. above the Middle Back Support, with seven screws.

4. Attach the Front Slat (#4) to the front of the two Sides (#1) using two screws.



5. Next attach the Comfort Slat (#3) to the Sides with two screws.